



# Manufactured In-Floor Access Enclosures & Pit Systems

## Providing Access to Underfloor:

- Refrigeration piping & controls
- Electrical wiring & controls
- Drainage hubs & piping
- Water piping & valves
- Mechanicals



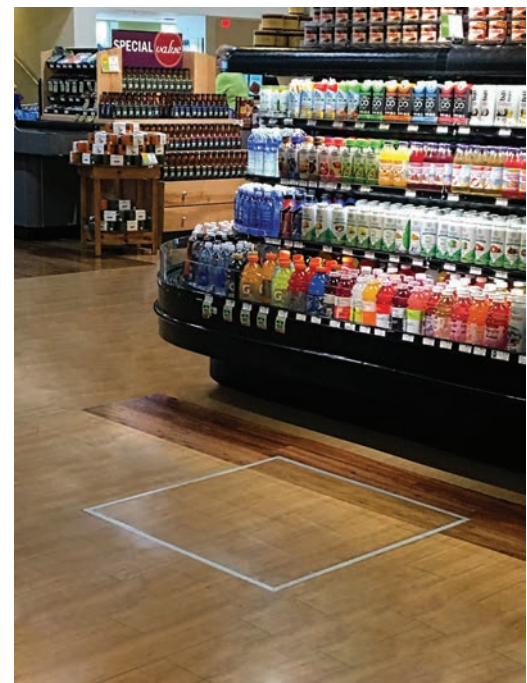


Craigg Manufacturing is an industry-leading manufacturer of in-floor access enclosures. With over 30 years of field experience, Craigg Engineers have studied and focused on the most frequent installation problems to develop our uniquely patented in-floor access pit system.

### **OUR PATENTED IN-FLOOR ACCESS PIT SYSTEMS ARE DESIGNED TO:**

- ✓ **BENEFIT** the building construction installer as well as the future owner/tenant.
- ✓ **SIMPLIFY** the installation of underfloor mechanicals, saving both time and expense.
- ✓ **ELIMINATE** maintenance and constant issues with cracking, breaking, and lifting of floor-coverings around frames and covers.

***Design Technology with Quick Installation In Mind is The Main Focus of Craigg's Unique & Popular Products***



# The Adjustor System (Model ADL)

The **Adjustor In-Floor Access Enclosure System** consists of a cover, frame and liner integrally designed into one unit. Installation has never been quicker or simpler and the finished result more attractive.



## RUST-FREE COVER

A precision made cover is designed with a rust-free and maintenance free extruded aluminum border trim to match any available floor covering.

## HEAVY DUTY FRAME

A double frame design adds strength and adjustability. A heavy steel frame casts into the poured concrete, while the extruded aluminum frame provides a bright and attractive finish that is rust-free and maintenance free.

## WATERPROOF LINER

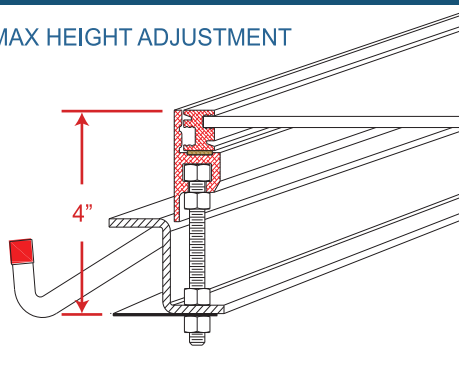
A durable, lightweight, prefabricated waterproof liner easy to cut and handle, replaces the need to form and pour concrete or build costly access pits on the project site.

## ADJUSTABLE MAIN FRAME

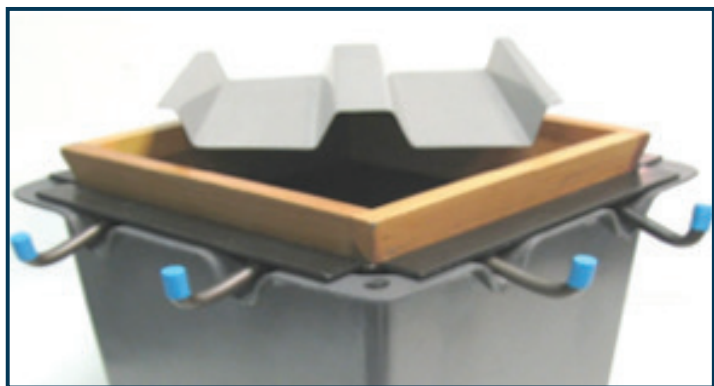
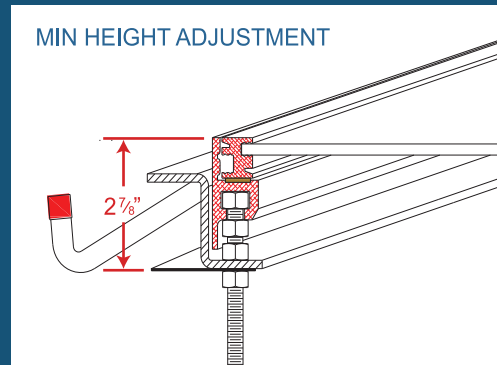
Before pouring the concrete floor the frame is adjusted to level, exact height, and position ensuring a perfect floor finish. The units frame is actually used as the finishing guide.

A second adjustment is made at the time the floor-covering material is placed. The frame is raised and leveled to the height of the surrounding floor-covering. This ensures that all edges of the floor-covering around the frame are protected.

MAX HEIGHT ADJUSTMENT

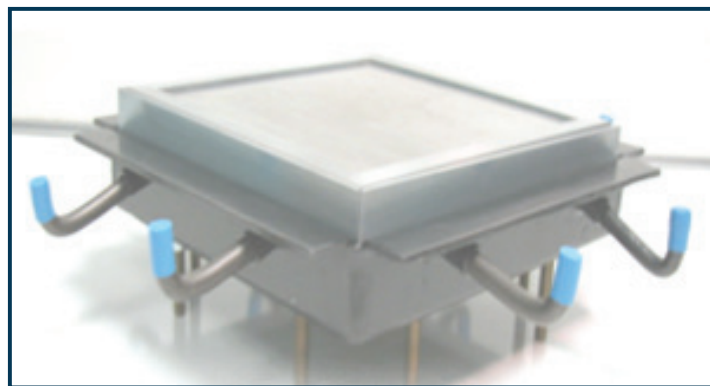


MIN HEIGHT ADJUSTMENT



## MODEL POL - POUROVER w/LINER

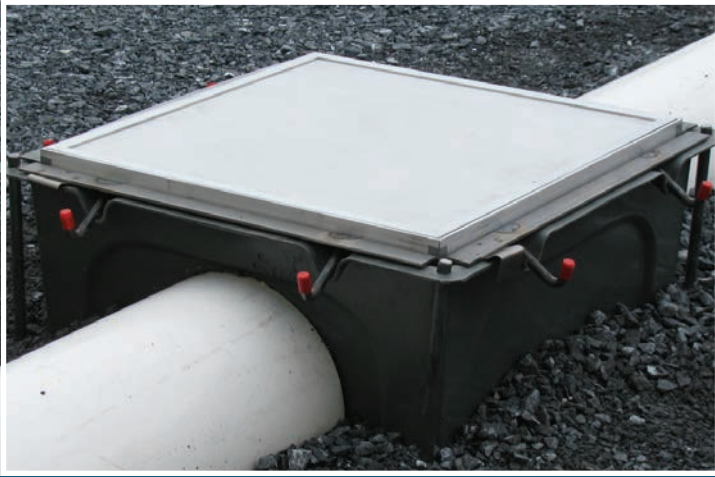
When a quick-and-easy to install pit is needed that will not require gaining access after the installation is complete, the Model POL allows concrete to be poured over the opening as a permanent cover. After all necessary work is performed in the pit, the included decking is placed into the frame and a permanent cap is poured, totally concealing the opening.



## MODEL ADF - ADJUSTOR

The Adjustor Frame and cover assembly is designed to be mounted on top of a field designed and built pit. It has all the adjustability features as our Model ADL that's mounted in our composite liner. The structural steel frame with its anchors rests on top of the constructed pit walls and will cast directly into the poured floor.

# The Access Pit Cover



The Access Pit Cover is designed similar to a picture frame. The raised border around the cover allows the floor-covering material to set down into the cover, flush with surrounding floor coverings. A flush floor surface, with no protruding edges, protects floor-covering edges from chipping and damage from foot traffic, sliding mechanical equipment, etc. and helps avoid trip hazards.

One cover is universal to several types of flooring material. One side permits the installation of 1/8" vinyl tile; flipping the cover over allows the placement of 1/2" quarry tile. Similar arrangements are available for expoy, marble, and ceramic finishes; up to 33 different arrangements.

Craigg Manufacturing's unique cover design sets deep into the unit's frame, eliminating the need for securing screws. This solves the problem of maintenance technician's past habits of pulling off the cover fastened by 10 screws and reinstalling with only 2 screws.

## Additional Features

### Cover Plate Choices

- 1/4" or 3/8" Aluminum
- 1/4" Steel
- Aluminum or Steel Treadplate

### Partial Covers

Covers only part of the opening which allows piping, wiring, or air to pass through the open area.

### Cover Supports

Supports cover for heavier loading and less deflection.

### Two-Piece Covers

Two smaller independent covers in one frame for easier access.

### Two-Part Frame

Two independent frames in one liner. When the type of flooring material changes around the area of an access cover, each frame adjusts to match that change in flooring.

## Pit Sizes Available

ADL	DEPTH	DEPTH	DEPTH	DEPTH	DEPTH
12 x 12	15				
12 x 24	15				
18 x 18	13	18	24		
18 x 24	13	18	24		
24 x 24	13	18	24	30	
24 x 30	13	18	24	30	
24 x 36	13	18	24	30	
24 x 48	13	18	24	30	36
30 x 30	13	18	24	30	36
30 x 42	13	18	24	30	36
36 x 36	13	18	24	30	36
36 x 48	13	18	24	30	36

*\*Custom sizing available to meet all requirements*



Craigg Manufacturing LLC  
 700 Henry Circle • Sinking Spring PA • 19608  
 P: 610-678-8200 F: 610-678-8201  
[www.craigg.com](http://www.craigg.com)

