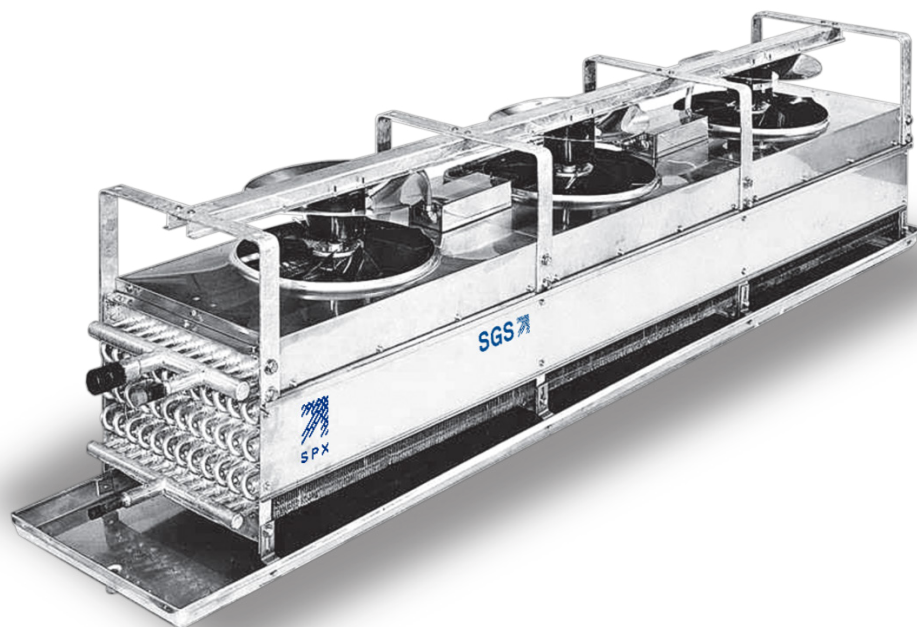


# BTR series

BETWEEN-THE-RAIL UNIT COOLER

engineering data  
and specifications





### EFFICIENT COIL DESIGN

Maximum heat transfer is achieved by staggered 3/4" OD tubes in the direction of air flow. Turbo-Spacers are located between tubes to provide nominal 4 FPI spacing and improve fin efficiency by turbulating the air flow.

### FAN AND MOTOR

- Motors, with internal overload protection, are factory wired to stainless steel NEMA 1 junction boxes located on the top of the casing. All fan motors can be cycled with one contactor.
- Fan guard conform to UL requirements and have a 10-15 mil fluidic bath coating of black vinyl PVC for corrosion resistance.

#### BTR 20, 30, 40 and 50 Series

- 18" diameter propeller fans with plastic blades and aluminum hubs.

Single phase 50-60 Hertz 115 or 208-230 volts, 1/5 hp, two speeds 1100/830 RPM-tapped winding capacitor start motors.

#### BTR 11, 21, 31 and 41 Series

- 30" diameter propeller fans with plastic blades and aluminum hubs.

Three phase 50-60 Hertz, 208-230, 380, 460 or 575 volts, 1/2 hp totally enclosed (TEAO), one speed 1140 RPM.

### HOUSING

- Corrosion resistant stainless steel is used for the outer casing.
- Extended housing height used for water defrost, water wash, hot gas reheat and hinged panels.

### DRAIN PAN

Designed for full coverage, stainless steel drain pan and closed cell insulated stainless steel cover is shipped loose. SGS's exclusive stainless steel "coil-less waffle" design is provided for hot gas heated drain pan requirements. The entire pan surface is in contact with hot gas, eliminating cold spots and assuring instant warm-up.

Hot gas pans are provided with closed cell insulation between the pan and stainless steel cover. Drain pan needs to be piped in series with the evaporator coil. A pan to coil check valve is usually required (supplied by others or optionally shipped loose).

### AIR DEFROST

above 36°F room temperature

- Air defrost coil with an unheated stainless steel drain pan.
- Stainless steel drain pan cover with closed cell insulation.

### HOT GAS DEFROST COIL ONLY

above 32°F room temperature

- Hot gas defrost for the coil with unheated stainless drain pan.
- For stainless steel and aluminum tube coils with direct expansion applications, hot gas defrost coils are supplied with a separate hot gas inlet header, which bypasses the capillaries for rapid defrost.

### HOT GAS DEFROST UNIT

below 32°F room temperature

- The unique "waffle" (SGS exclusive) stainless steel drain pan allows for the fastest hot gas defrost available. The design assures maximum pan heat in a minimum time.
- Drain pan provided with closed cell insulation between the pan and stainless steel cover.
- For stainless steel and aluminum tube coils with direct expansion applications, hot gas defrost coils are supplied with a separate hot gas inlet header, which bypasses the capillaries for rapid defrost.

**ELECTRIC DEFROST COIL ONLY**

above 32°F room temperature

- Electrical defrost heaters factory wired for 208-230/460/3/60 voltage to a common terminal block with fan delay and temperature terminations thermostat.
- Available models listed are limited 2 or 3 fans, 4 or 6 rows and can be used for any coil tube material.
- Tubular heaters are located under the coil face, between coil and drain pan, and efficiently defrost the coil from the bottom to the top. Drain pan is not heated.

BTR Electric Defrost				
Model	Total kW		Total Amps	
	208/230V	208V	230V	460V
24 and 26	4.8	13.9	12.1	6.0
34 and 36	7.2	20.9	18.1	9.0

- Remote electrical panels are available to defrost up to 3 units at one time. Included are NEMA 1 enclosure, main disconnect, 115V control transformer, contactors, 3 pilot lights, ON/OFF switch and time clock.

**WATER DEFROST**

above 25°F room temperature

Water Defrost spray headers are available for all models.

- Minimum operating supply water pressure is 5 PSI and minimum water temperature is 65°F.
- Unit heights are increased 5.25".
- Drain pan connection is FPT and horizontal. Drain pan is not insulated.

Flow Rates Required for Water Defrost	
Model	gpm
20	18
30	27
40	36
50	45
11	12
21	24
31	36
41	48

**ACCESSORIES**

- Thermostatic Expansion Valve (TEV).
- Electrical defrost control panels (shipped loose).
- Hot gas defrost check valve (shipped loose).

**OPTIONS**

- Single phase 50-60 Hertz 115, 208-230, 1/2 hp totally enclosed (TEAO), single speed 1075 RPM available for Series 11-41.
- Three phase 60 Hertz 208/230, 460 volts, 1/2 hp totally enclosed (TEAO), two speed 1140/850 RPM available for Series 11-41.
- Three phase 60 Hertz 208-230, 460 volts, 1/2 hp totally enclosed (TEAO), 1140 RPM inverter ready wash-down duty motor available for Series 11-41.
- Electric heat tape 115V or 230V single phase on the interior of the insulated drain pan cover.
- Hot gas reheat (8 rows total maximum).
- The coil fully dipped and dried with a corrosion resistant coating.
- Variable fin spacing - 2/4 FPI. Bottom two rows have 2 FPI, remainder 4 FPI (6 or 8 row depth models only).
- NEMA 4X factory mounted non-fused disconnect switch.
- Hinged side panels used for easy access to the coil.
- Water wash-down models with insulated stainless steel drain pan.
- Pan to coil check valve for Hot Gas Defrost unit (shipped loose).
- Thermostatic Expansion Valve (shipped loose or factory mounted, if copper tubes).
- Removable side panels for easy coil access.

BTR Unit Coolers are ideally suited for carcass chill and holding coolers, assembly and shipping docks; boning, cutting and packaging rooms; sausage kitchens and any space above 15°F, where people work.

TEV for DXA must be externally equalized and the discharge tube removed, except for models using a single refrigeration circuit requiring a TEV with the discharge tube.

**AIR DISTRIBUTION**

- Air distribution is four ways at the ceiling level. Air throw radius is 20 to 30 feet. The umbrella effect minimizes drafts.
- It is best to locate units in the center of the bays or on column lines so that the discharge path is not compromised by piping, walls or other structural interference.

**FAN MOTOR DATA**

- Fan motor nameplate amps are total for the unit. Motors have internal over-heat protection, wired in parallel and cycled with one contactor.
- NEC limits total parallel motor ampacity to 15.0 amps for 208 through 600 volts and 20.0 amps at 125 volts or less. Higher capacity models for 115/1/60V can be provided when more than one parallel motor circuit is used.

- Ampacity will increase as room temperature is lowered (8% at 32°F; 18% at -10° F) due to denser air. As the air temperature lowers TEAO motor capability increases at a faster rate than the imposed fan load.
- Single phase 1/5 hp units can be controlled with manual 2-speed starters. Relays or contactors, used with automatic defrost should be arranged to cycle motors and restart motors on the high speed winding.
- Three phase 1/2 hp units with single-speed motors can be controlled with conventional contactors. Two-speed motors are six lead, two winding type, protected with internal overheat protectors. Normal starting methods can be used.
- When factory wired to one common junction box, motors are factory wired for proper rotation.
- Direct expansion halocarbon systems should have liquid line solenoid valves interlocked with the motor contactor so they are de-energized when unit cooler fans are off. This is not required when compressors are protected with suction traps.

Motor Data											
Horsepower	Volts	Phase	Hertz	RPM HI/LO	Speed	FLA each	Full Load Amps (FLA)Total				
							1 Fan	2 Fan	3 Fan	4 Fan	5 Fan
BTR 11-41											
1/2	115	1	50/60	1075	1	7.80	7.80	15.60	1 x 7.80 1 x 15.6	1 x 15.6 1 x 15.6	
1/2	208/230	1	50/60	1075	1	3.90	3.90	7.80	11.70	15.60	
1/2	208/230	3	50/60	1140	1	1.96	1.96	3.92	5.88	7.84	
1/2	380	3	50/60	1140	1	1.10	1.10	2.20	3.30	4.40	
1/2	460	3	50/60	1140	1	0.98	0.98	1.96	2.94	2.94	
1/2	575	3	60	1140	1	0.76	0.76	1.52	2.28	3.04	
1/2	208/230	3	50/60	1140/850	2	1.90	1.90	3.80	5.70	7.60	
1/2	460	3	50/60	1175/850	2	0.87	0.87	1.74	2.61	3.48	
BTR 20-50											
1/6	115	1	50/60	1110	1	2.82*		5.64	8.46	11.28	14.10
1/6	208/230	1	50/60	1110	1	1.42*		2.84	4.26	5.68	7.10

**COIL**

- BTR Series propeller fan units are modular in design in 1 through 4 fans, Series 11-41 and 2 to 5 fans for Series 20-50.
- Units are designed for medium suction temperatures 20°F to 40°F and from 2 to 15 nominal tons.
- Maximum heat transfer is achieved by staggered 3/4" OD tubes in the direction of air flow. Turbo-Spacers are located between tubes to provide additional air turbulence.
- Each coil is tested underwater with 350 PSIG air.

**MATERIAL OF CONSTRUCTION**

- Stainless steel tubes/aluminum fins.
- Aluminum tubes/aluminum fins
- Copper tube/aluminum fins.

**RATING DATA**

- Each coil is engineered for maximum efficiency for its specific design application.
- Capacity listed is BTUH/°F TD sensible heat removal from the wet, dry or frosted coil. Ratings are valid for TDs 20°F or less, SST 20° F to 40° F.
- Wet coil heat transfer is more efficient than frosted resulting in higher ratings.
- Wet coil applications are for room temperatures above 32° F. All face velocities are below 600 FPM.

**CAPACITY CORRECTION FACTORS**

50 Hz Electrical Power	0.88
For 2/4 Variable Fin Spacing	
6 Row Models	0.85
8 Row Models	0.89

**FAN MOTOR HEAT**

- Motor heat is not included in the ratings. Add 4000 BTU/hp per motor to the load estimate.

**TEMPERATURE DIFFERENCE (TD)**

- Temperature difference (TD) is the difference between return air temperature or room air and coil saturated refrigerant temperature.
- Rated capacity is multiplied by the TD to determine total sensible heat capacity in BTUH.

**SOUND LEVEL**

- Sound Level represents the relative sound pressure in decibels on the "A" scale, when measured six feet horizontally from the unit.
- Actual sound level measured in the field is dependent upon unit location, room size, height and surface hardness of walls, ceiling and product.

**REFRIGERANT FEEDS**

Recirculated coils have liquid feed orifices to feed the coil evenly and reduce hot gas blow-by during defrost.

Units operating with an overfeed system must provide liquid at 5 PSI above saturated suction pressure and the liquid temperature within 30°F of saturated suction temperature.

- **RT** - Recirculated top feed is recommended for air, water or electric defrost. Refrigerant oil flows downhill to the suction header. This application is not recommended for hot gas defrost units.

- **RB** - Recirculated bottom feed is recommended for hot gas defrost applications. Hot gas condensate and oil flow downhill, back-flowing through the liquid feed orifices which restrict gas blow-by.

Condensate is relieved through the liquid header. Defrost condensate relief devices must be located below the liquid connection. A float drainer should be used in series piped units only (standard configuration); unrelieved vapor will prevent complete and proper defrost cycles.

- **DX** - Direct expansion coils are circuited to have a minimum pressure drop and maintain refrigerant velocity for oil return. Direct expansion coils employ distributors and capillaries to feed each circuit. TEVs must be externally equalized and, on ammonia applications, the discharge tubes must be removed. If a unit does not have a distributor do not remove the TEV discharge tube.

Ammonia TEV applications are not recommended for suction temperatures below 0°F or With TO selections less than 12°F. If sub-cooled liquid is used, it must be specified to assure proper coil circuiting.

- **FL** - Flooded coils are circuited to minimize internal losses while maintaining minimum surge drum operating level. When closed coupled, the liquid level in the drum should be four inches or more above the coil. Flooded coil ratings are the same as recirculated ratings.

- **B** - Coils can be circuited for water or brine (single-phase) refrigerants. Factory engineering is required for proper unit selection. Provide required capacity, brine type, brine concentration, room temperature, entering brine temperature and gpm for selection.

**LOW HUMIDITY APPLICATIONS**

- Low relative humidity conditions in medium temperature spaces have been achieved with high TD coil designs coupled with variable air volume or reheat to maintain space temperature.

**SINGLE-PHASE MOTOR AIR VOLUME CONTROL**

- Two speed controlled by 2 stage thermostat.
- Contact factory for control panel details.

**THREE-PHASE MOTOR AIR VOLUME CONTROL**

- Volume control is achieved by cycling some single-speed fans in one or more units as room temperature drops. Coil surface under off-fan continues to refrigerate dehumidifying air by convection. Soft coil frost must be removed with normal hot gas cycle or by restarting fans for air defrost cycles. Motors will be wired to individual junction boxes.
- Factory mounted line voltage thermostat with sensing bulb in an operating fan return air stream, cycles fans. Allows automatic fan cycling with single-speed motors using one or three pole contactor to control one or more units. A 5°F change in return air temperature is required. Recommended for 35°-55°F docks or work spaces with liquid Recirculated feeds. Arrange for defrost as above.

**REHEAT**

- Hot Gas Reheat employing 2 rows of surface available for all units and located on the fan side of the unit; 8 rows total maximum.
- An air gap between fins separates them from the refrigerant surface. Unit height remains the same for total rows required. Contact factory for cooling capacity.
- Coil frosting requires defrost cycles to be manual or automatically scheduled in accordance with space operations, such as after clean-up cycles.

**DRAIN PAN COVER HEATING**

- In rooms that may have humidity condensate dripping from the drain pan cover a heat tape is available to warm the cover.
- The electric heat tape is affixed to the inside of the pan cover with the tail out the side of the pan.
- 115/1 and 230/1 voltages.

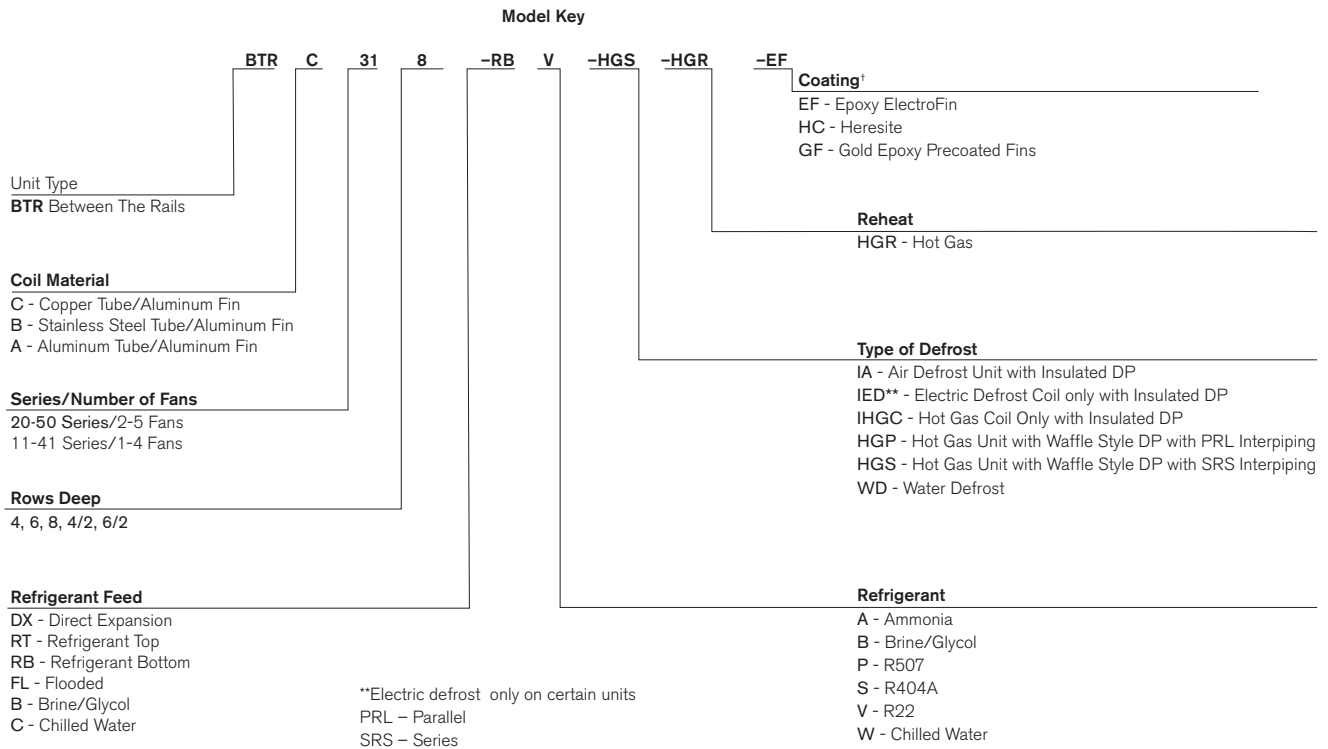
Drain Pan Heat Tape Full Load Amps (FLA)				
Model	Total Watts	Amps		Max Fuse Size
		115V	230V	
20	580	5.04	2.52	15.00
30	800	6.96	3.48	15.00
40	1020	8.87	4.43	15.00
50	1240	10.78	5.39	15.00
11	760	6.61	3.30	15.00
21	1280	11.13	5.57	15.00
31	1800	15.65	7.83	20.00
41	2320	20.17	10.09	20.00

**THERMOSTATIC EXPANSION VALVE (TEV)**

- Thermostatic Expansion Valve must be externally equalized.

**ORDERING INFORMATION - PLEASE SPECIFY**

- Quantity and complete model number
- SST-Saturated Suction Temperature
- Room temperature
- Fan motor voltage
- Heater voltage (if applicable)
- Control voltage (if applicable)
- Manufacture commences with order approval





Performance Data – Copper

Model	Rows Deep	Capacity BTUH/°F				Coil Data			Air Data CFM		Fans	Sound Level	Shipping Weight lb
		High Speed		Low Speed		Face ft <sup>2</sup>	Surface ft <sup>2</sup>	Volume ft <sup>3</sup>	HI-RPM	LO-RPM	No - hp	dBA	
		DX	REC	DX	REC								
BTR-24	4	2000	2360	1700	1900	9.9	468	0.54	4000	3000	2 - 1/5	66.5	420
BTR-26	6	2600	2900	2180	2340	9.9	705	0.81	3900	2900	2 - 1/5	67.0	470
BTR-28	8	3000	3300	2440	2600	9.9	938	1.08	3700	2800	2 - 1/5	67.5	510
BTR-34	4	3000	3540	2550	2850	14.9	703	0.79	6000	4500	3 - 1/5	67.5	610
BTR-36	6	3900	4350	3270	3500	14.9	1055	1.19	5850	4350	3 - 1/5	68.0	670
BTR-38	8	4500	4950	3660	3850	14.9	1408	1.58	5550	4200	3 - 1/5	68.5	740
BTR-44	4	4000	4720	3400	3800	19.8	946	1.16	7980	6000	4 - 1/5	68.5	830
BTR-46	6	5200	5800	4360	4680	19.8	1422	1.74	7780	5800	4 - 1/5	69.0	920
BTR-48	8	6000	6600	4880	5200	19.8	1895	2.30	7380	5600	4 - 1/5	69.5	1020
BTR-54	4	5000	5910	4260	4760	24.8	1186	1.69	10,020	7500	5 - 1/5	69.0	1000
BTR-56	6	6500	7260	5460	5850	24.8	1780	2.54	9770	7250	5 - 1/5	69.5	1100
BTR-58	8	7500	8270	6110	6510	24.8	2370	3.36	9270	7000	5 - 1/5	70.0	1220
BTR-114	4	2430	2870	2060	2435	10.4	508	0.56	6000	4500	1 - 1/2	77.5	450
BTR-116	6	3150	3650	2630	3050	10.4	762	0.84	5700	4270	1 - 1/2	78.0	550
BTR-118	8	3640	4120	2950	3340	10.4	1016	1.11	5400	4050	1 - 1/2	78.5	650
BTR-214	4	4860	5740	4120	4870	20.8	1016	1.11	12,000	9000	2 - 1/2	79.5	870
BTR-216	6	6300	7300	5260	6100	20.8	1524	1.67	11,400	8550	2 - 1/2	80.0	1050
BTR-218	8	7280	8240	5900	6680	20.8	2032	2.23	10,800	8700	2 - 1/2	80.5	1150
BTR-314	4	7300	8610	6200	7310	31.3	1524	1.67	18,000	13,500	3 - 1/2	82.0	1260
BTR-316	6	9450	10,960	7900	9150	31.3	2286	2.51	17,000	12,820	3 - 1/2	82.5	1490
BTR-318	8	10,920	12,440	8840	10,075	31.3	3048	3.34	16,200	12,150	3 - 1/2	83.0	1630
BTR-414	4	9720	11,460	8240	9740	41.7	2032	2.22	24,000	18,000	4 - 1/2	84.0	1600
BTR-416	6	12,600	14,600	10,520	12,200	41.7	3048	3.34	22,800	17,100	4 - 1/2	84.5	1940
BTR-418	8	14,560	16,480	11,800	13,360	41.7	4064	4.46	21,600	16,200	4 - 1/2	85.0	2100

See Capacity Factors table for 50 Hz Motors.

Performance Data – Aluminum and Stainless Steel

CAPACITIES ARE FOR AMMONIA ONLY – FOR R-22/404A/507A USE COPPER TUBE CAPACITIES

Model	Rows Deep	Capacity BTUH/°F				Coil Data			Air Data CFM		Fans	Sound Level	Shipping Weight lb	
		High Speed		Low Speed		Face ft <sup>2</sup>	Surface ft <sup>2</sup>	Volume ft <sup>3</sup>	HI-RPM	LO-RPM	No - hp	dBA	Al/Al	SS/Al
		DX	REC	DX	REC									
BTR-24	4	2300	2710	1960	2190	9.9	468	0.54	4000	3000	2 - 1/5	66.5	405	420
BTR-26	6	2940	3280	2460	2640	9.9	705	0.81	3900	2900	2 - 1/5	67.0	450	470
BTR-28	8	3330	3660	2710	2890	9.9	938	1.08	3700	2800	2 - 1/5	67.5	480	510
BTR-34	4	3450	4070	2930	3280	14.9	703	0.79	6000	4500	3 - 1/5	67.5	590	610
BTR-36	6	4410	4920	3700	3960	14.9	1055	1.19	5850	4350	3 - 1/5	68.0	640	670
BTR-38	8	5000	5490	4060	4270	14.9	1408	1.58	5550	4200	3 - 1/5	68.5	690	740
BTR-44	4	4600	5430	3910	4370	19.8	946	1.16	7980	6000	4 - 1/5	68.5	800	830
BTR-46	6	5880	6550	4930	5290	19.8	1422	1.74	7780	5800	4 - 1/5	69.0	870	920
BTR-48	8	6660	7330	5420	5770	19.8	1895	2.30	7380	5600	4 - 1/5	69.5	960	1020
BTR-54	4	5750	6800	4900	5470	24.8	1186	1.69	10,020	7500	5 - 1/5	69.0	960	1000
BTR-56	6	7350	8200	6170	6610	24.8	1780	2.54	9770	7250	5 - 1/5	69.5	1040	1100
BTR-58	8	8330	9180	6780	7230	24.8	2370	3.36	9270	7000	5 - 1/5	70.0	1140	1220
BTR-114	4	2790	3300	2370	2800	10.4	508	0.56	6000	4500	1 - 1/2	77.5	430	450
BTR-116	6	3560	4120	2970	3450	10.4	762	0.84	5700	4270	1 - 1/2	78.0	520	550
BTR-118	8	4040	4570	3270	3710	10.4	1016	1.11	5400	4050	1 - 1/2	78.5	610	650
BTR-214	4	5590	6600	4740	5600	20.8	1016	1.11	12,000	9000	2 - 1/2	79.5	830	870
BTR-216	6	7120	8250	5940	6890	20.8	1524	1.67	11,400	8550	2 - 1/2	80.0	1000	1050
BTR-218	8	8080	9150	6550	7410	20.8	2032	2.23	10,800	8700	2 - 1/2	80.5	1080	1150
BTR-314	4	8400	9900	7130	8410	31.3	1524	1.67	18,000	13,500	3 - 1/2	82.0	1210	1260
BTR-316	6	10,680	12,380	8930	10,340	31.3	2286	2.51	171,00	12,820	3 - 1/2	82.5	1410	1490
BTR-318	8	12,120	13,810	9810	11,180	31.3	3048	3.34	16,200	12,150	3 - 1/2	83.0	1530	1630
BTR-414	4	11,180	13,180	9480	11,200	41.7	2032	2.22	24,000	18,000	4 - 1/2	84.0	1530	1600
BTR-416	6	14,240	16,500	11,890	13,790	41.7	3048	3.34	22,800	17,100	4 - 1/2	84.5	1840	1940
BTR-418	8	16,160	18,290	13,100	14,830	41.7	4064	4.46	21,600	16,200	4 - 1/2	85.0	1960	2100

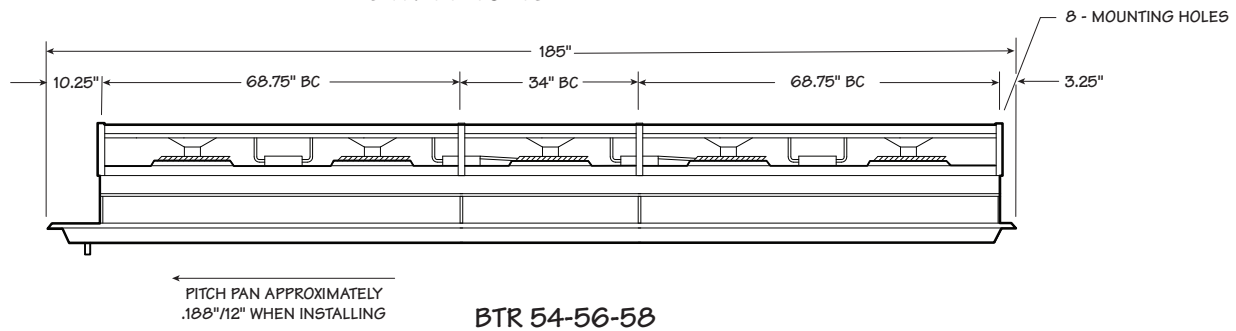
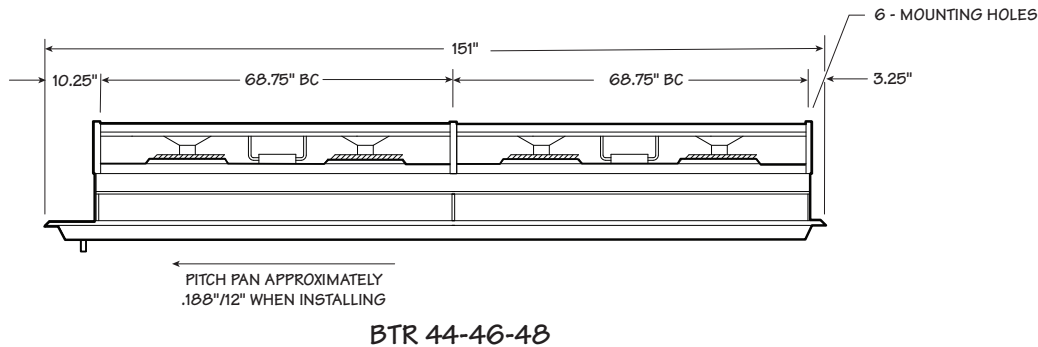
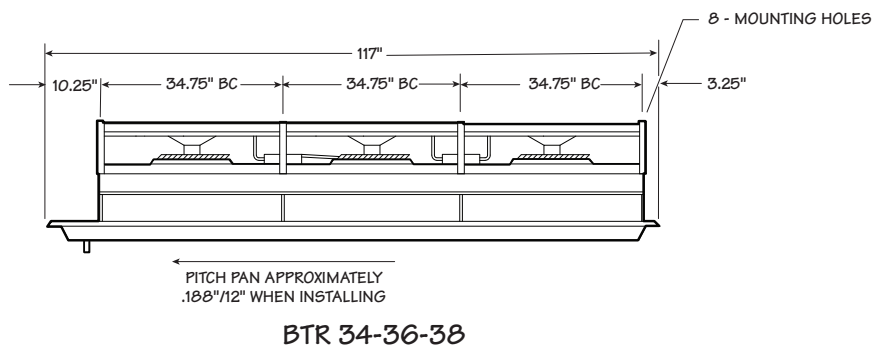
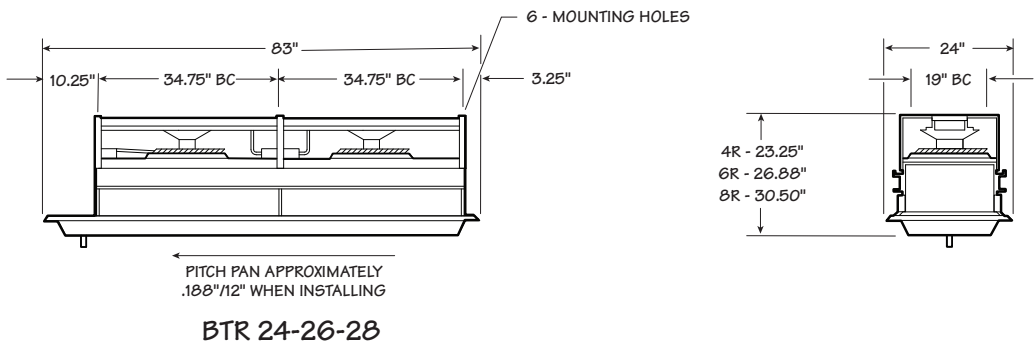
See Capacity Factors table for 50 Hz Motors.

Coil Connection Data

Model	Copper Tube - 15°F TD		Aluminum/Stainless Steel Tube - 15°F TD						Drain Pan	
	DXV		DXA		RTA/RBA		FLA		Condensate Drain Conn*	Hot Gas Connection MPT
	DIST ODF	SUCT ODS	DIST FPT	SUCT*	LIQ*	SUCT*	LIQ*	SUCT*		
BTR-24	5/8"	1 1/8"	1/2"	3/4"	1/2"	1 1/4"	1 1/2"	1 1/2"	3/4"	3/4"
BTR-26	5/8"	1 1/8"	1/2"	3/4"	1/2"	1 1/4"	1 1/2"	1 1/2"	3/4"	3/4"
BTR-28	7/8"	1 3/8"	1/2"	1"	1/2"	1 1/4"	1 1/2"	1 1/2"	3/4"	3/4"
BTR-34	7/8"	1 3/8"	1/2"	1"	1/2"	1 1/4"	1 1/2"	1 1/2"	3/4"	3/4"
BTR-36	7/8"	1 5/8"	1/2"	1 1/4"	1/2"	1 1/2"	1 1/2"	1 1/2"	3/4"	3/4"
BTR-38	7/8"	1 3/8"	1/2"	1 1/4"	1/2"	1 1/2"	1 1/2"	1 1/2"	3/4"	3/4"
BTR-44	7/8"	1 5/8"	1/2"	1 1/4"	1/2"	1 1/2"	1 1/2"	1 1/2"	1"	1"
BTR-46	7/8"	1 5/8"	1/2"	1 1/4"	3/4"	2"	2"	2"	1"	1"
BTR-48	7/8"	2 1/8"	1/2"	1 1/4"	3/4"	2"	2"	2"	1"	1"
BTR-54	7/8"	1 5/8"	1/2"	1 1/4"	3/4"	2"	2"	2"	1"	1"
BTR-56	1 1/8"	2 1/8"	1/2"	1 1/2"	3/4"	2"	2"	2"	1"	1"
BTR-58	1 1/8"	2 1/8"	1/2"	1 1/2"	3/4"	2"	2"	2"	1"	1"
BTR-114	7/8"	1 3/8"	1/2"	1"	1/2"	1 1/2"	1 1/2"	1 1/2"	1 1/2"	1"
BTR-116	7/8"	1 3/8"	1/2"	1"	1/2"	1 1/2"	1 1/2"	1 1/2"	1 1/2"	1"
BTR-118	7/8"	1 5/8"	1/2"	1 1/4"	1/2"	1 1/2"	2"	2"	1 1/2"	1"
BTR-214	7/8"	1 5/8"	1/2"	1 1/4"	1/2"	1 1/2"	2"	2"	1 1/2"	1"
BTR-216	7/8"	2 1/8"	1/2"	1 1/2"	1/2"	2"	2"	2"	1 1/2"	1"
BTR-218	1 3/8"	2 1/8"	1/2"	1 1/2"	3/4"	2"	2"	2"	1 1/2"	1"
BTR-314	1 1/8"	2 1/8"	1/2"	1 1/2"	3/4"	2"	2"	2"	1 1/2"	1"
BTR-316	1 3/8"	2 1/8"	1/2"	1 1/2"	3/4"	2"	2 1/2"	2 1/2"	1 1/2"	1"
BTR-318	1 3/8"	2 5/8"	1/2"	2"	3/4"	2"	2 1/2"	2 1/2"	1 1/2"	1"
BTR-414	1 3/8"	2 1/8"	1/2"	1 1/2"	3/4"	2"	2 1/2"	2 1/2"	1 1/2"	1 1/2"
BTR-416	1 3/8"	2 5/8"	1/2"	2"	3/4"	2 1/2"	2 1/2"	2 1/2"	1 1/2"	1 1/2"
BTR-418	1 3/8"	2 5/8"	3/4"	2"	1"	2 1/2"	2 1/2"	2 1/2"	1 1/2"	1 1/2"

\*Stainless steel, aluminum tube connections are IPS

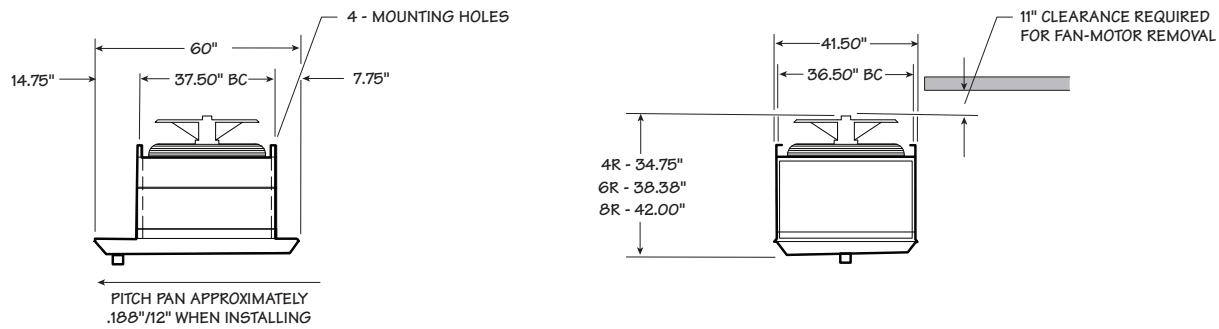
BTR 24 - 58



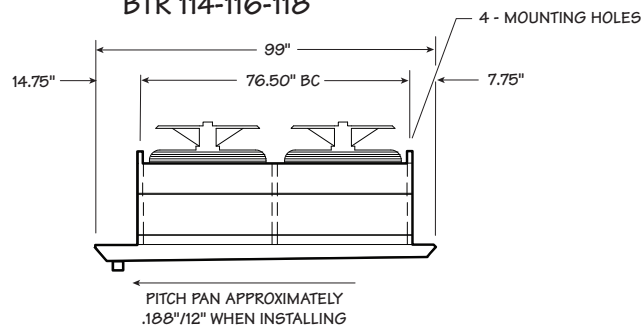
For primary layout only, do not use for construction.

- BC (bolt hole center/hanger).
- Height increases 5 1/4" due to water defrost and extended height side panels.
- Hanger holes are 5/8" diameter for 1/2" diameter threaded rod.
- Main power connections available at any junction box.

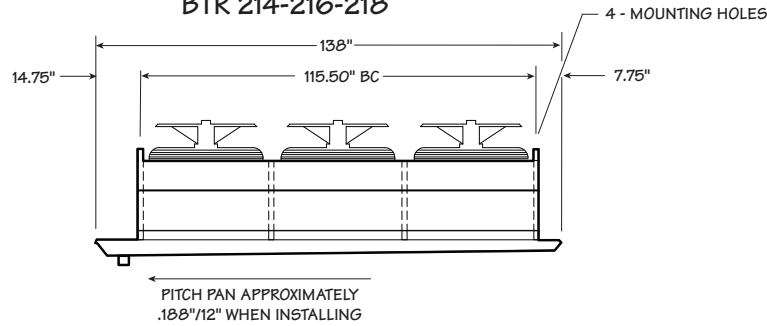
BTR 114-418



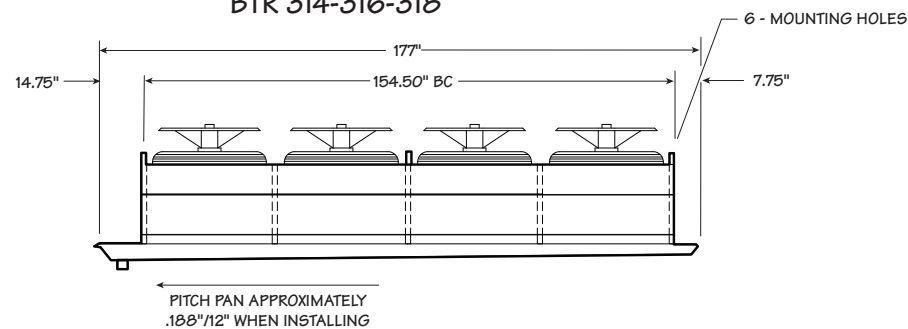
**BTR 114-116-118**



**BTR 214-216-218**



**BTR 314-316-318**



**BTR 414-416-418**

For primary layout only, do not use for construction.

- BC (bolt hole center/hanger).
- Height increases 5 1/4" due to water defrost and extended height side panels.
- Hanger holes are 5/8" diameter for 1/2" diameter threaded rod.
- Main power connections available at any junction box.







---

**SPX COOLING TECHNOLOGIES, INC.**

827 WEST PROGRESS DRIVE  
DIXON, IL 61021 USA  
815 284 2700 | [spxcooling@spx.com](mailto:spxcooling@spx.com)  
[spxcooling.com](http://spxcooling.com)

SGS-BTR-TECH-20 | ISSUED 04/2020  
© 2020 SPX COOLING TECHNOLOGIES, INC | ALL RIGHTS RESERVED  
In the interest of technological progress, all products are subject to design  
and/or material change without notice.

